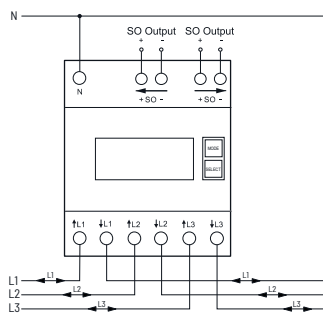




### Typical connection

4-wire-connection 3x230/400 V



Manuals and documents in further languages:  
[https://eltako.com/redirect/DSZ15DZE-3\\*80A](https://eltako.com/redirect/DSZ15DZE-3*80A)

Technical data page 10-28.

## DSZ15DZE-3x80A

NEW

**Bidirectional three-phase meter. Maximum current 3x80 A. Standby loss 0.5 watt per path only.**

Modular device for DIN-EN 60715 TH35 rail mounting.

4 modules = 70 mm wide and 58 mm deep.

Accuracy class B (1%). With SO interface as standard.

It measures active energy by means of the current between input and output. The internal power consumption of 0.5 watt active power per path is neither metered nor indicated.

**The active energy is added depending on the sign. Positive power in the meter means energy consumption, negative power means energy delivery. The energy measurement is balanced.**

**If the energy consumption (P positive) is greater than the energy supply (P negative), the meter reading T → is increased. If the energy supply is greater than the energy consumption, the meter reading T ← is increased. Energy consumption is shown with a right arrow → and energy supply is shown with a left arrow ← above the active bar in the display.**

1, 2 or 3 phase conductors with max. currents up to 80 A can be connected.

The inrush current is 40 mA.

The N terminal must always be connected.

**Energy consumption and energy supply values are stored in non-volatile memory and are displayed again immediately after a power failure.**

**The 7 segment LC display is also legible twice within a period of 2 weeks without power supply.**

The power consumption and the power supply are indicated by a bar flashing at a rate of 100 times per kWh.

On the right next to the display are the keys MODE and SELECT. Press them to scroll through the menu.

First the **background lighting** switches on. Then the total active energy per consumption and delivery, the active energy of the resettable memory consumption and delivery as well as the instantaneous power, voltage and current values for each phase conductor can be displayed.

### Error message

If a phase connection is missing, the corresponding phase is shown on the display.

|                       |  |                          |                     |
|-----------------------|--|--------------------------|---------------------|
| <b>DSZ15DZE-3x80A</b> | Bidirectional three-phase meter, without MID | <b>Art. No. 28380215</b> | <b>180,00 €/pc.</b> |
|-----------------------|--|--------------------------|---------------------|